

Rozměry v mm  
Maße in mm  
Dimensions in mm

IMPRESSION L 2g S 71.60.34.21

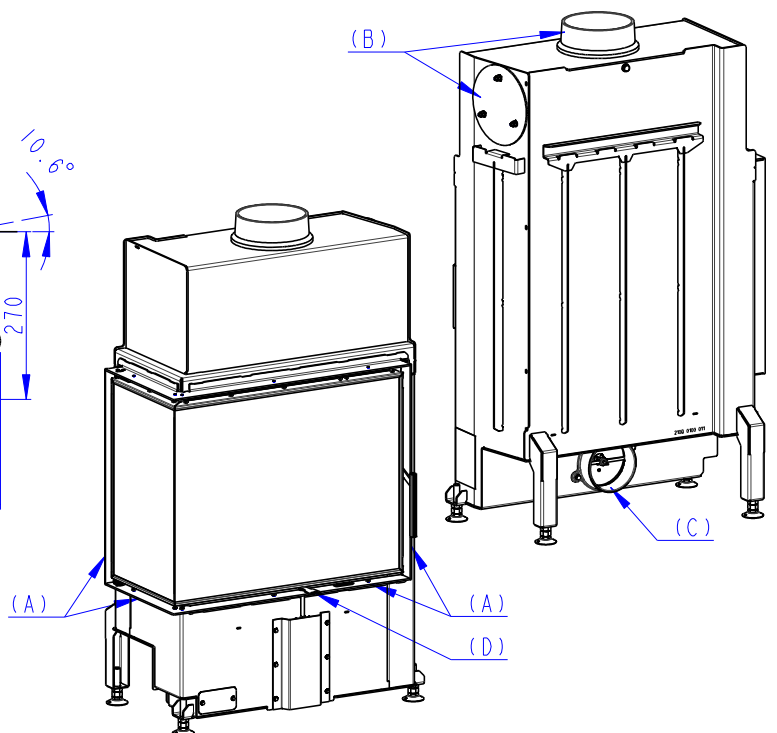
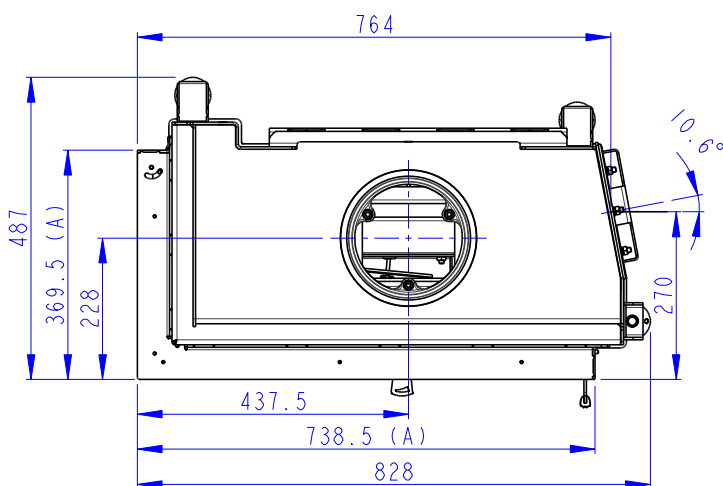
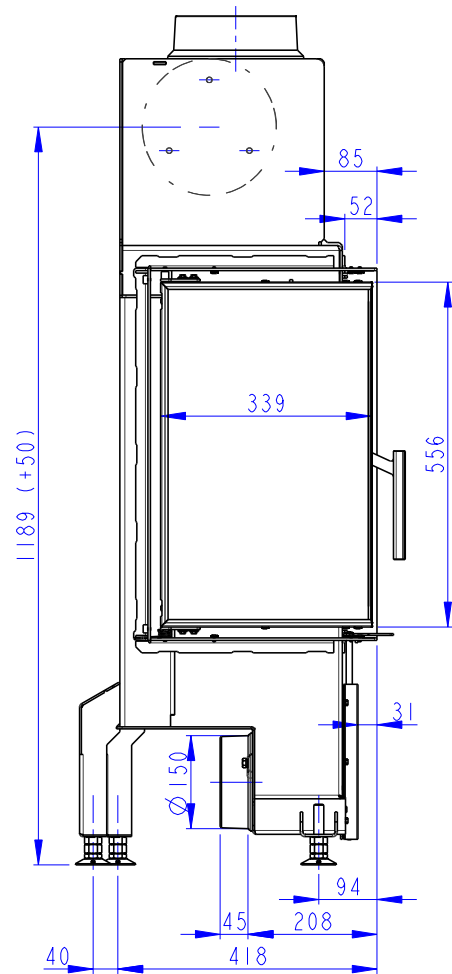
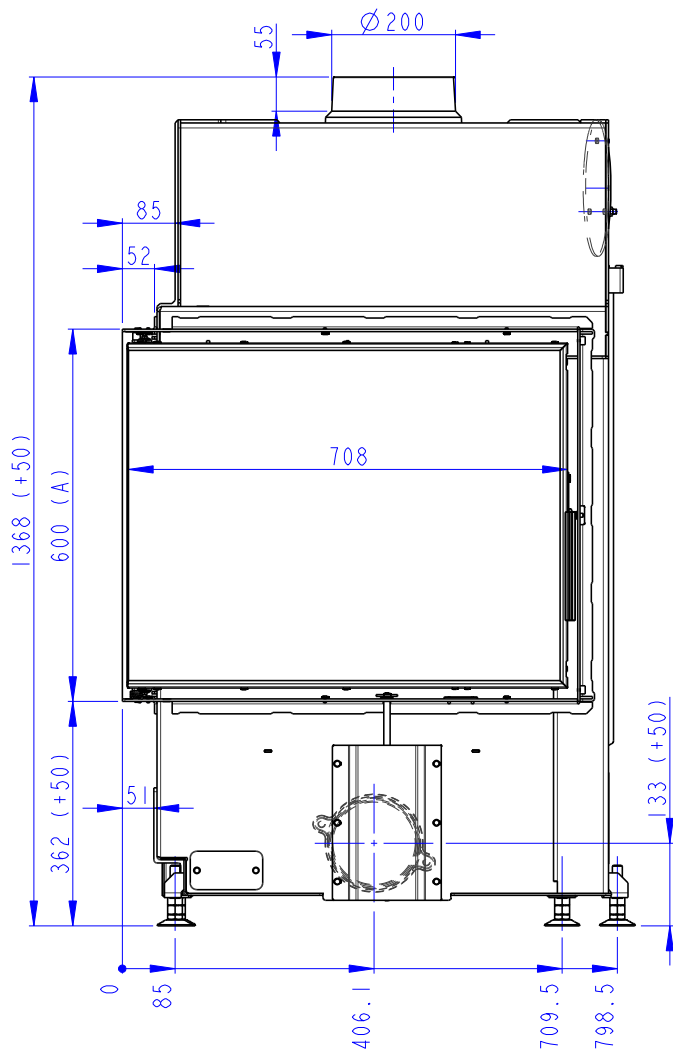
133kg

IMPRESSION L 2g S 71.60.34.21 + IR2LG TOP01

205kg

IMPRESSION L 2g S 71.60.34.21 + IR2LG TOP02

195kg

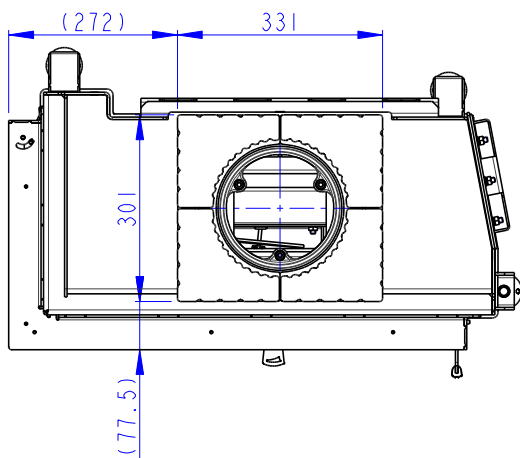
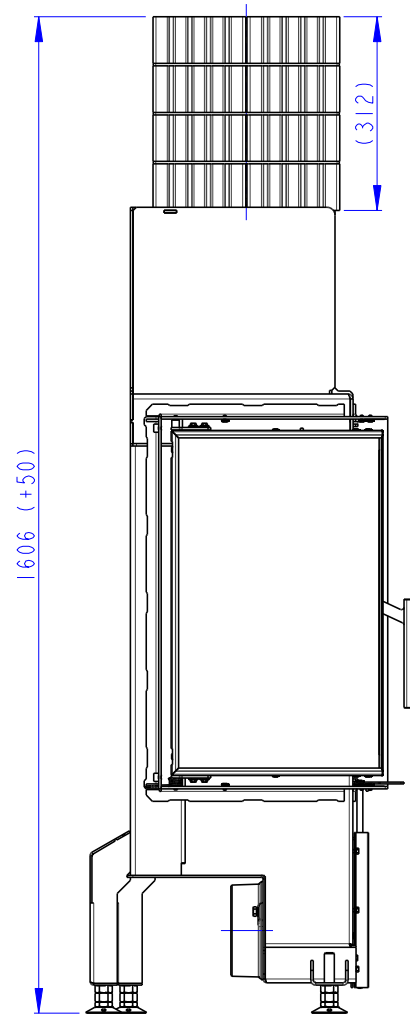
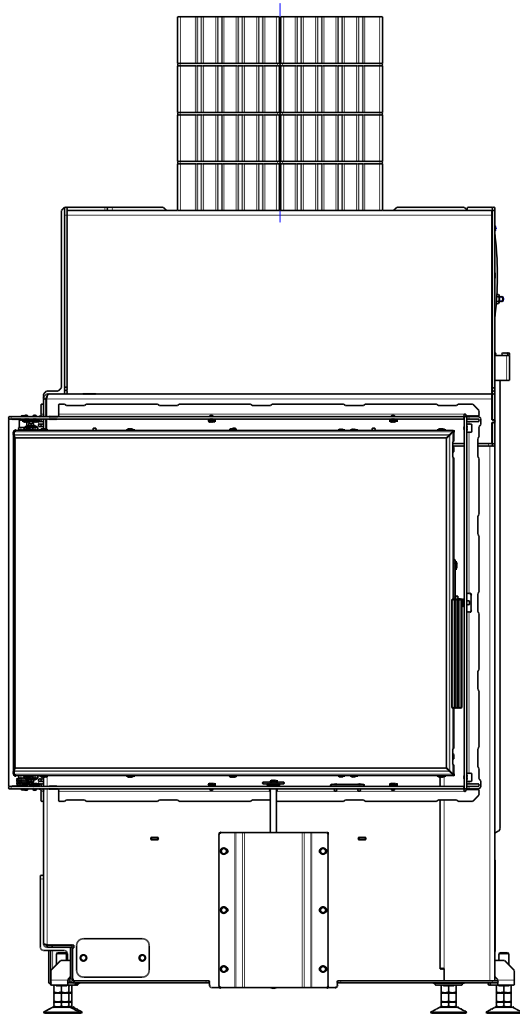


- (A) Zastavbový rozmer / Baumaße / In-built dimension  
 (B) Litinový odvod kouře / Cast iron spigot / Der gusseiserne Rauchabgang  
 (C) Centralní privod vzduchu / Central air inlet / Zentralluftzufuhr  
 (D) Primární a sekundární vzduch / Primary and secondary air / Primärluft und Sekundärluft

Rozmery v mm  
Maße in mm  
Dimensions in mm

IMPRESSION L 2g S 71.60.34.21 + AKKUM KV 04  
+ AKKUM KV 04 + IR2LG TOP01  
+ AKKUM KV 04 + IR2LG TOP02

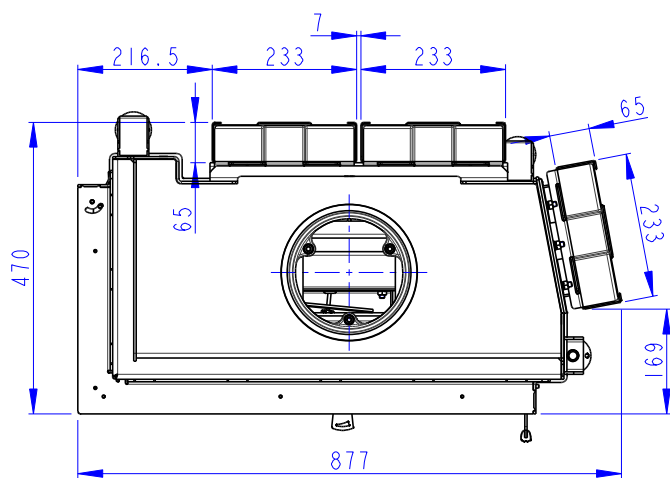
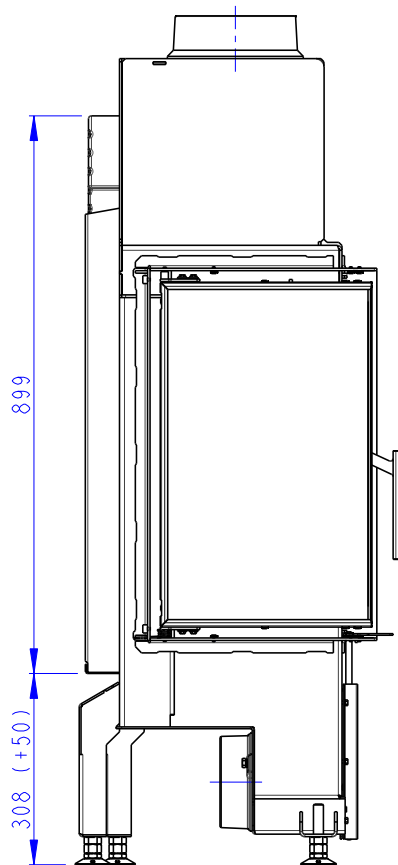
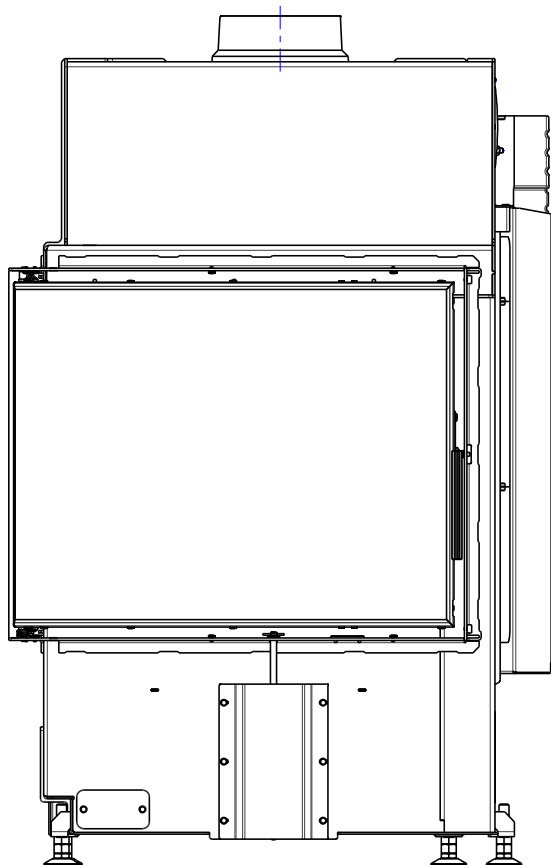
203kg  
275kg  
265kg



Rozmery v mm  
Maße in mm  
Dimensions in mm

IMPRESSION L 2g S 71.60.34.21 + AKKUM KV 06  
+ AKKUM KV 06 + IR2LG TOP01  
+ AKKUM KV 06 + IR2LG TOP02

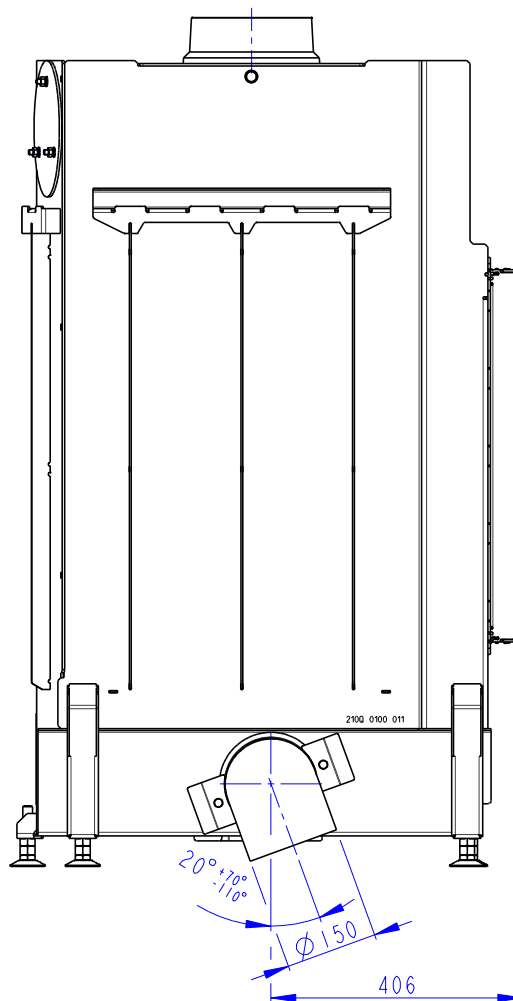
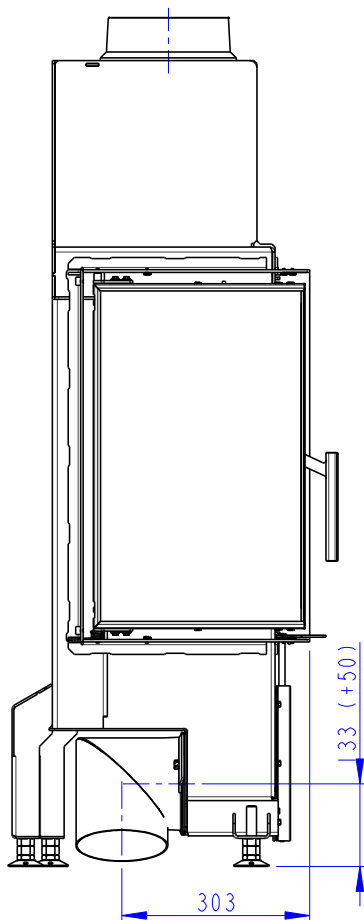
271kg  
343kg  
333kg



Rozměry v mm  
Maße in mm  
Dimensions in mm

IMPRESSION L 2g S 71.60.34.21 + 12 AIRBOX 01  
+ 12 AIRBOX 01 + 1R2LG TOP01  
+ 12 AIRBOX 01 + 1R2LG TOP02

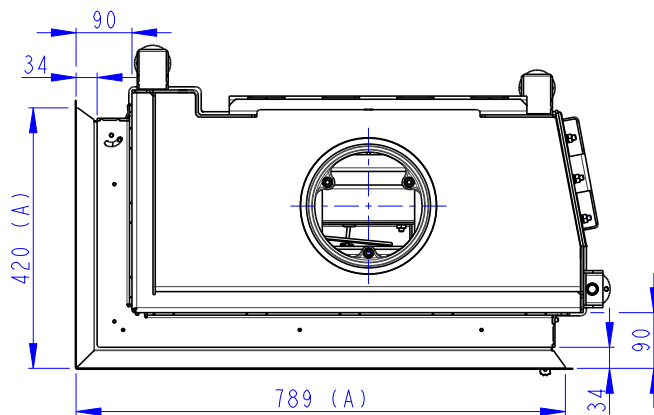
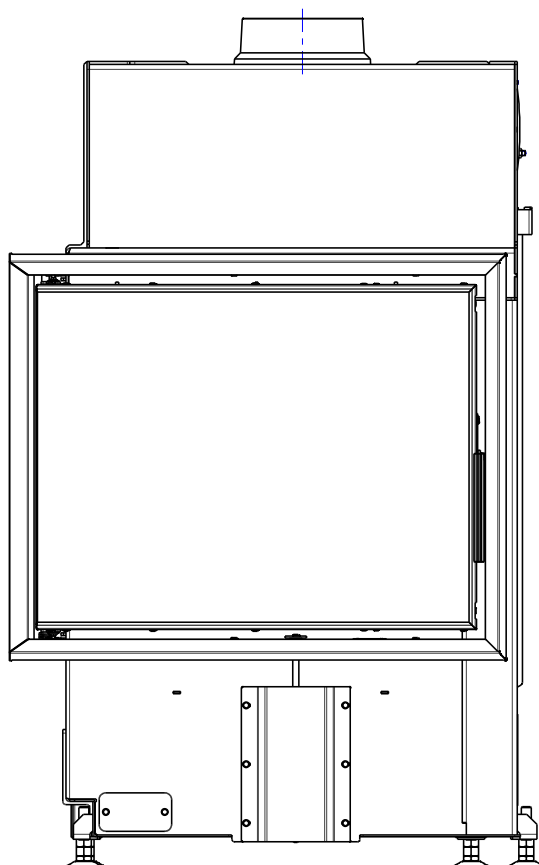
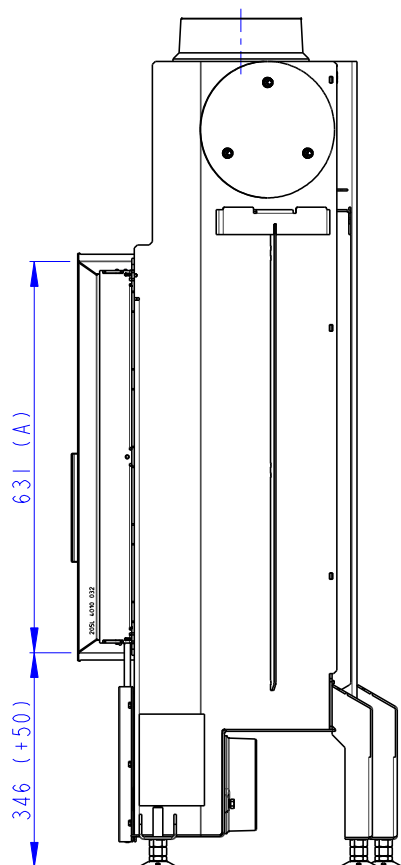
135kg  
207kg  
197kg



Rozmery v mm  
Maße in mm  
Dimensions in mm

IMPRESSION L 2g S 71.60.34.21 + IR2SG RAM04  
+ IR2SG RAM04 + IR2LG TOP01  
+ IR2SG RAM04 + IR2LG TOP02

136.5kg  
208.5kg  
198.5kg

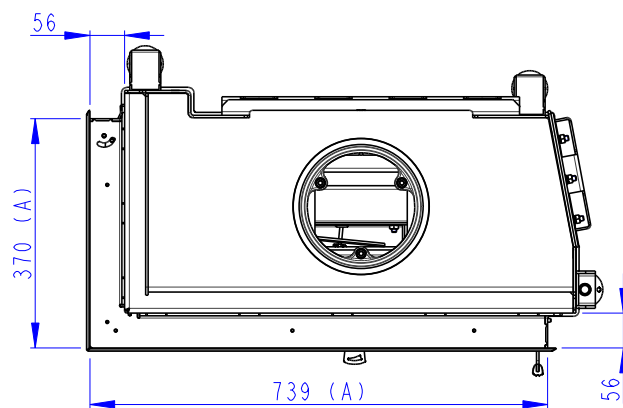
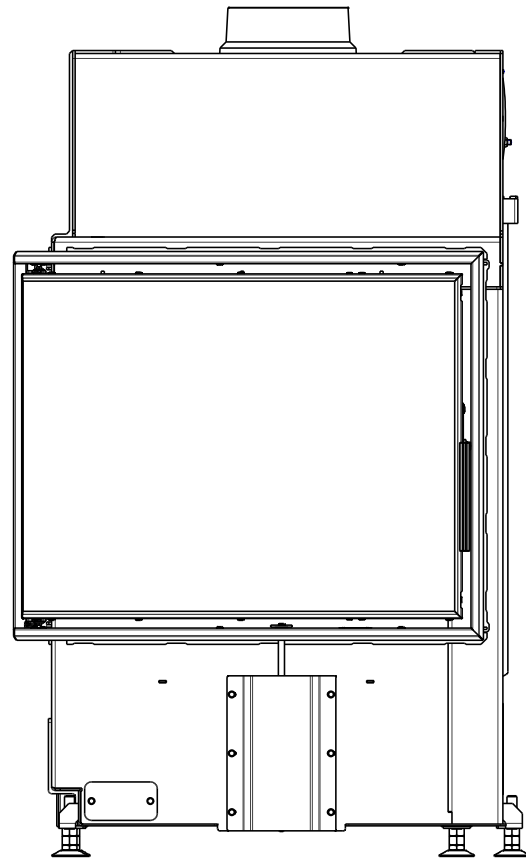
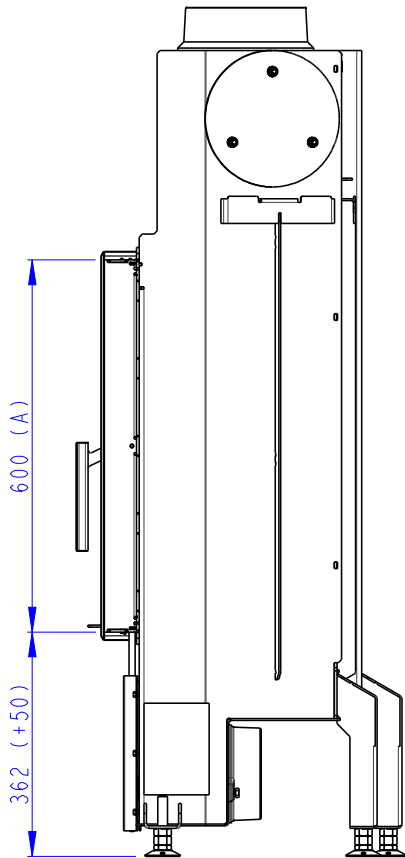


(A) Zastavbovy rozmer / Baumaße / In-built dimension

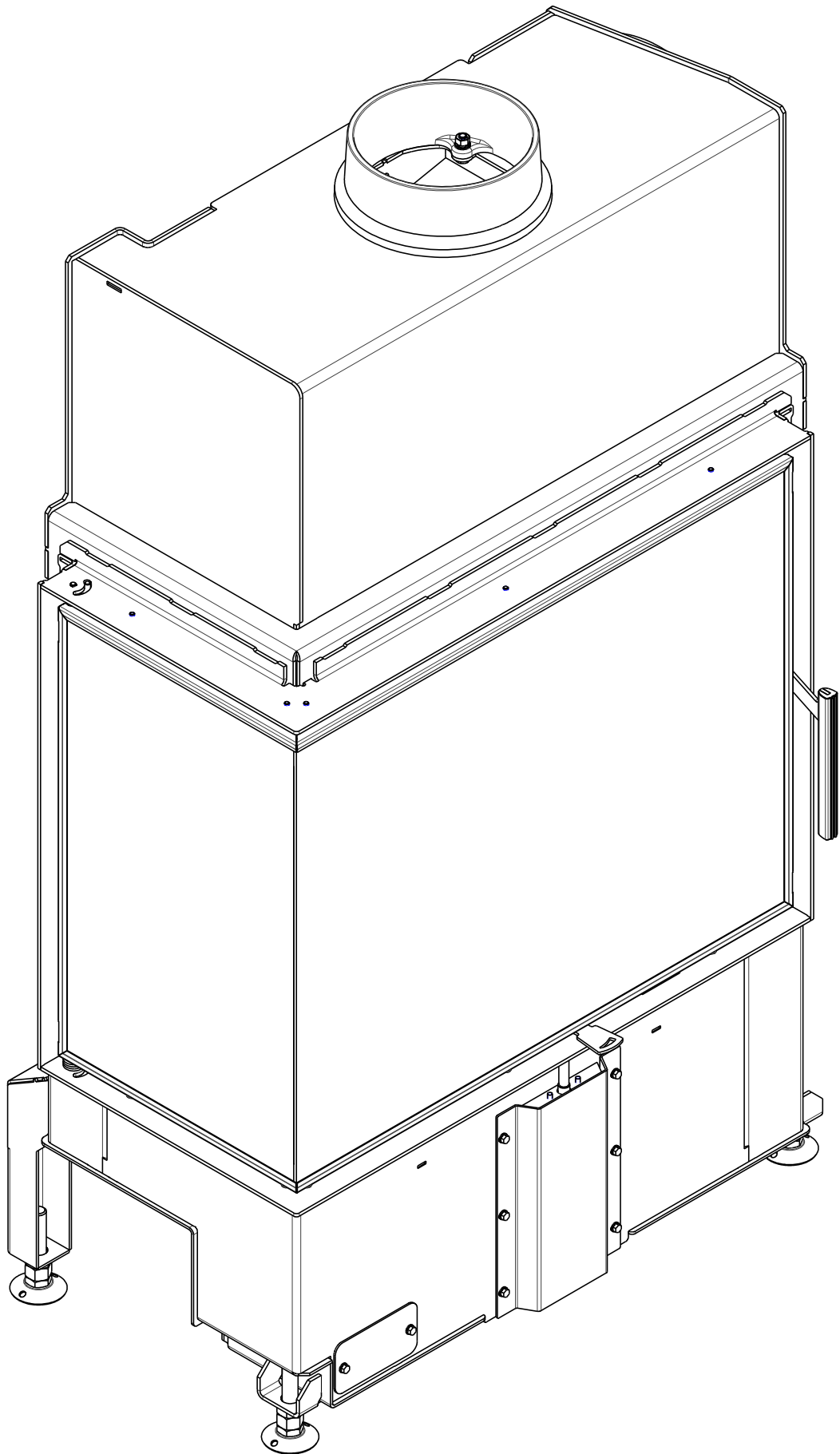
Rozmery v mm  
Maße in mm  
Dimensions in mm

IMPRESSION L 2g S 71.60.34.21 + IR2SG RAM06  
+ IR2SG RAM06 + IR2LG TOP01  
+ IR2SG RAM06 + IR2LG TOP02

135.3kg  
207.3kg  
197.3kg



(A) Zastavbovy rozmer / Baumße / In-built dimension



Rozměry v mm  
 Maße in mm  
 Dimensions in mm

IMPRESSION R 2g S 71.60.34.21

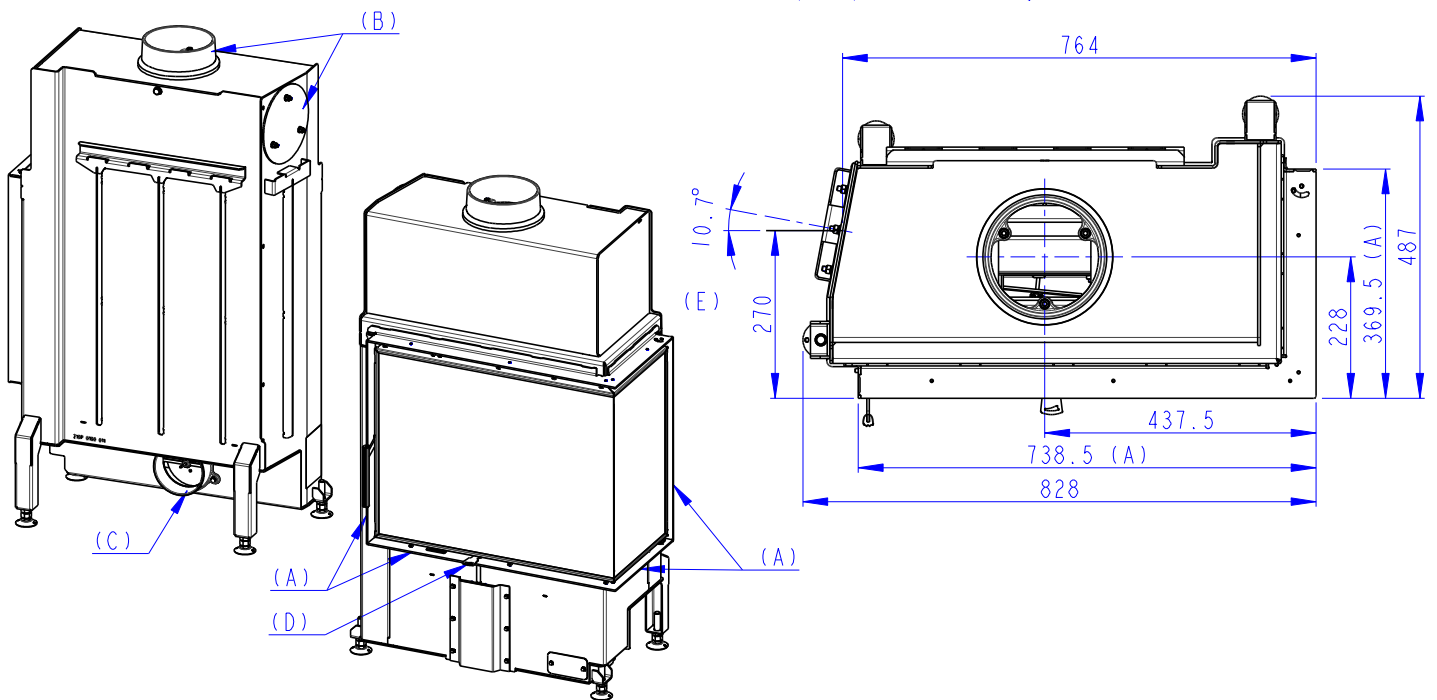
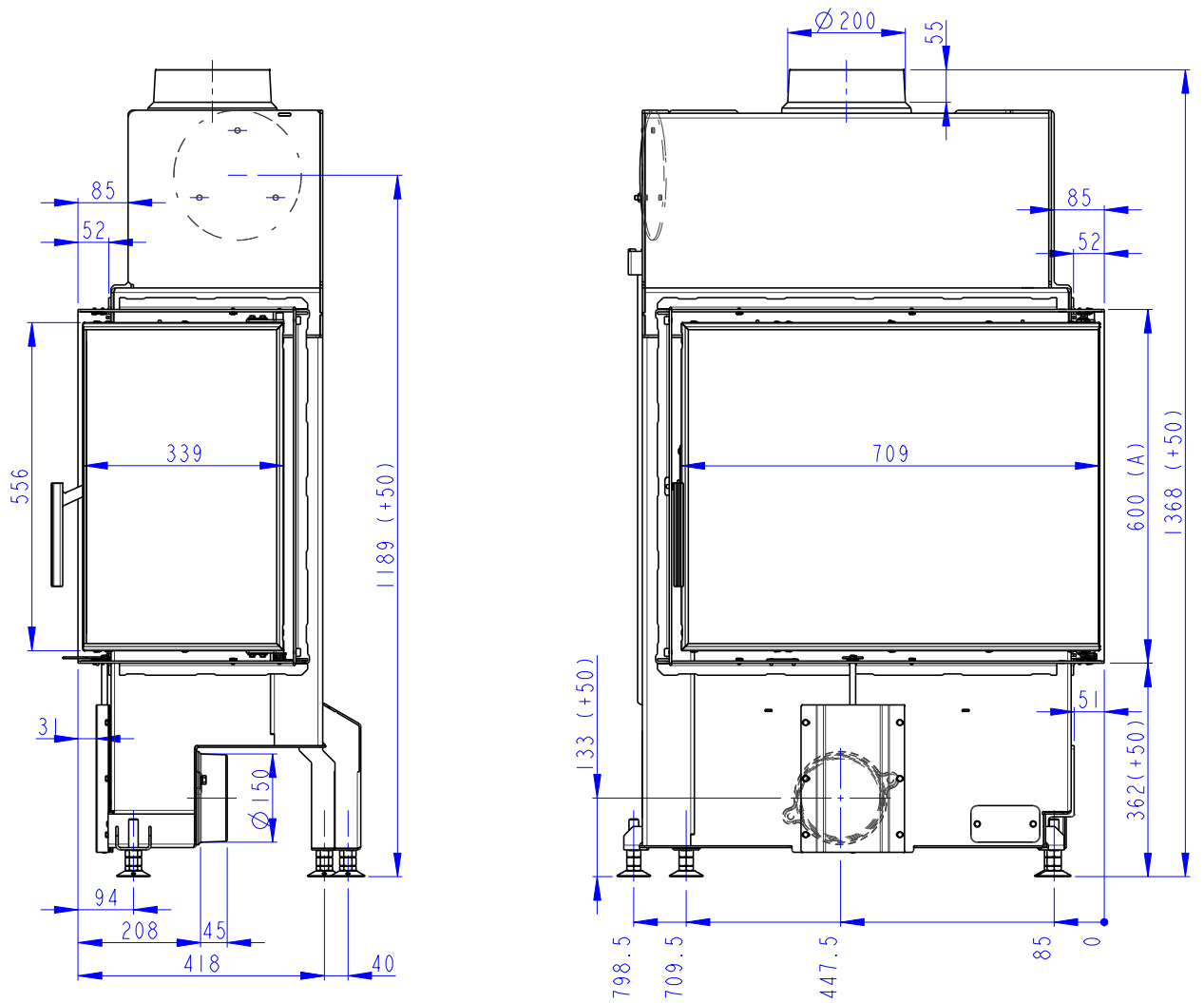
133kg

IMPRESSION R 2g S 71.60.34.21 + IR2LG TOP01

205kg

IMPRESSION R 2g S 71.60.34.21 + IR2LG TOP02

195kg



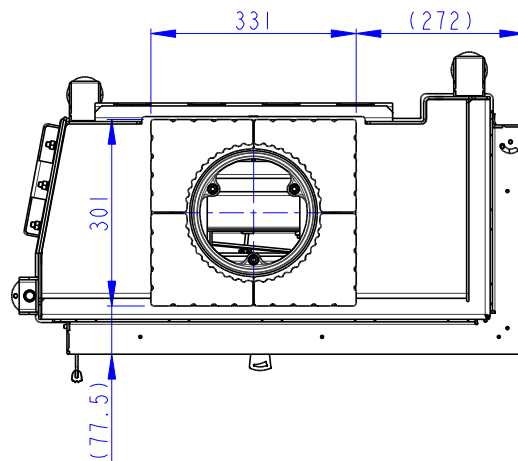
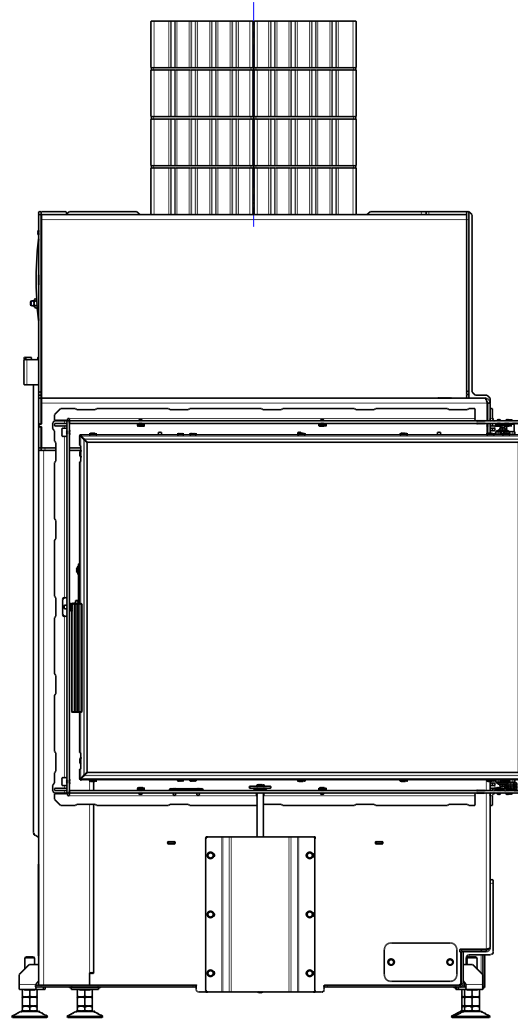
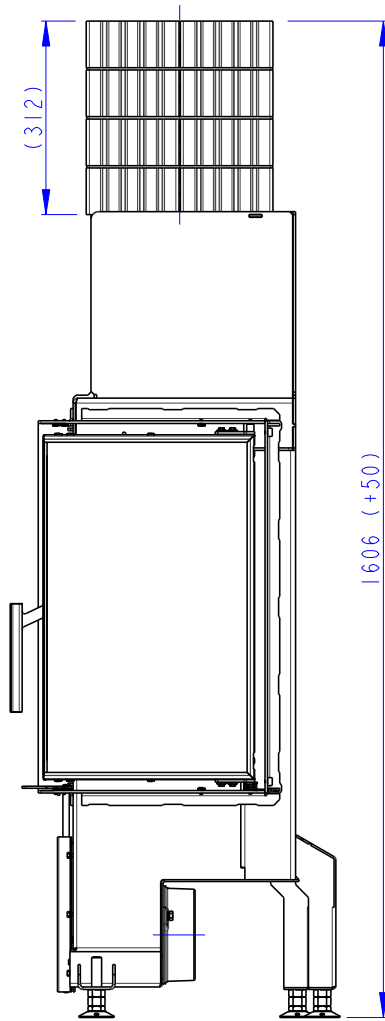
- (A) Zastavbovy rozmer / Baumaße / In-built dimension
- (B) Litinový odvod kouře / Cast iron spigot / Der gusseiserne Rauchabgang
- (C) Centralni privod vzduchu / Central air inlet / Zentralluftzufuhr
- (D) Primarni a sekundarni vzduch / Primary and secondary air / Primärluft und Sekundärluft



Rozměry v mm  
Maße in mm  
Dimensions in mm

IMPRESSION R 2g S 71.60.34.21 + AKKUM KV 04  
+ AKKUM KV 04 + IR2LG TOP01  
+ AKKUM KV 04 + IR2LG TOP02

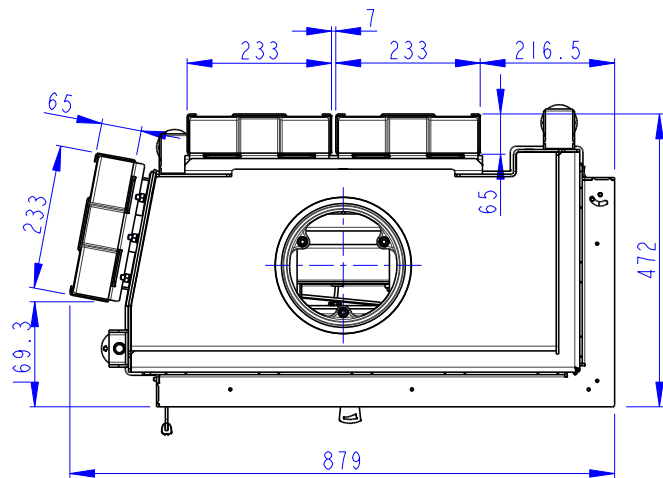
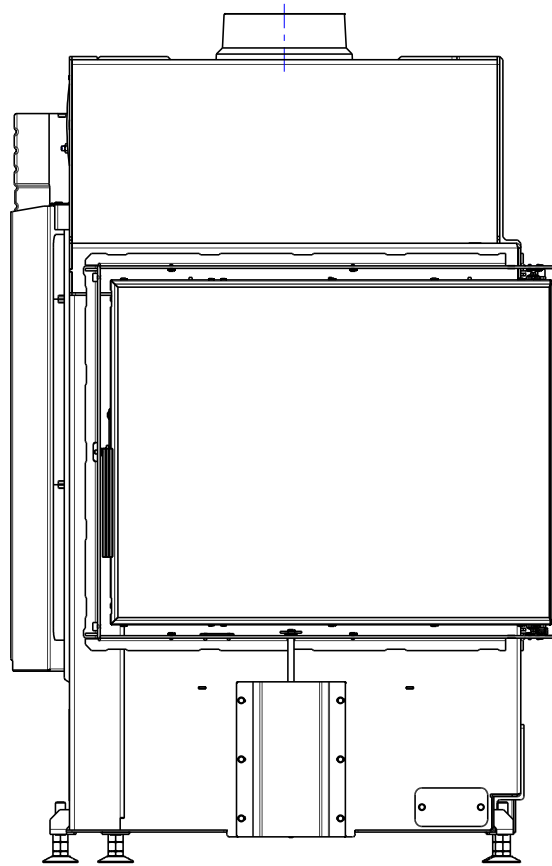
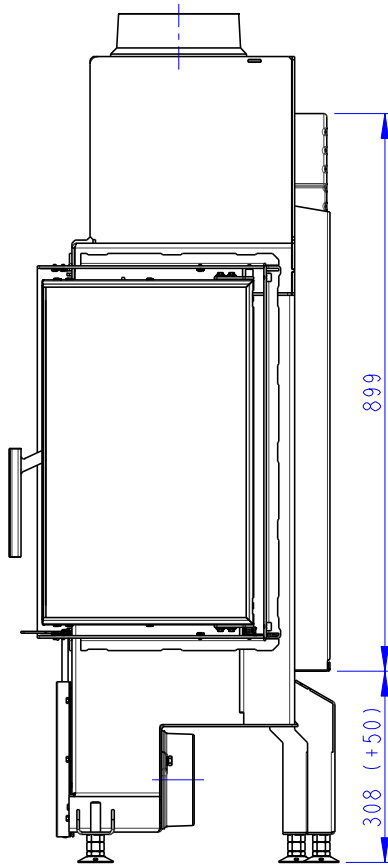
203kg  
275kg  
265kg



Rozměry v mm  
Maße in mm  
Dimensions in mm

IMPRESSION R 2g S 71.60.34.21 + AKKUM KV 06  
+ AKKUM KV 06 + IR2LG TOP01  
+ AKKUM KV 06 + IR2LG TOP02

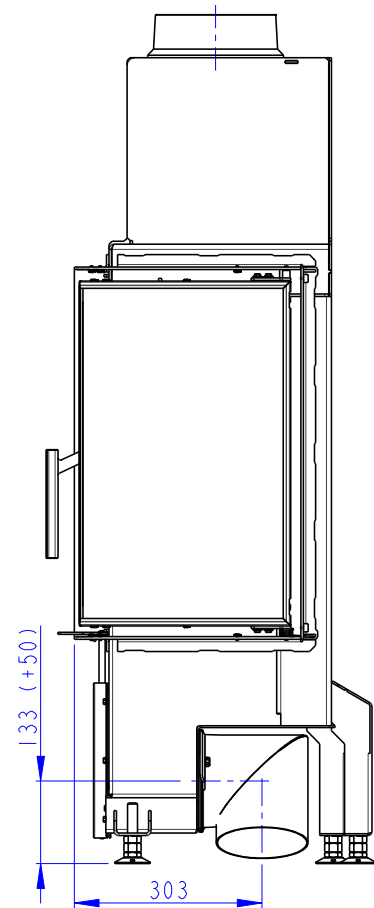
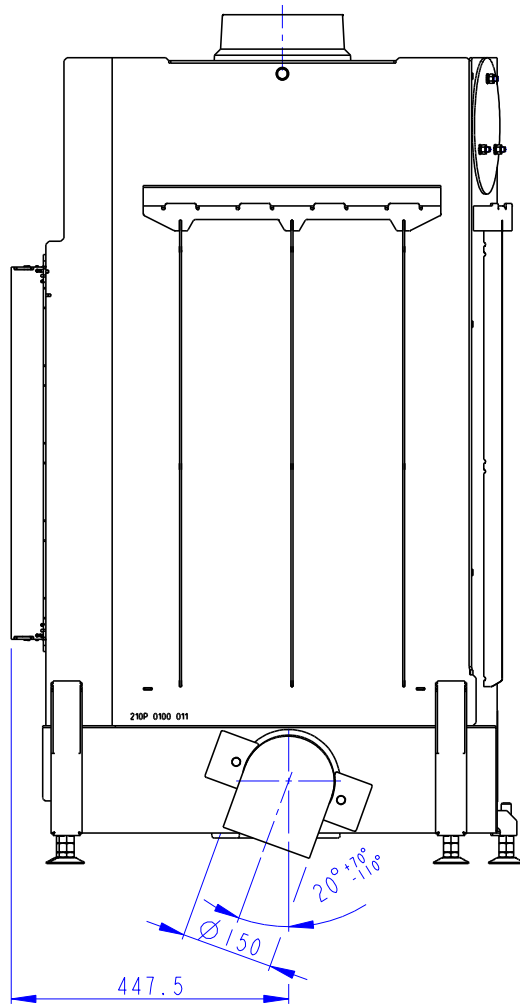
271kg  
343kg  
333kg



Rozmery v mm  
Maße in mm  
Dimensions in mm

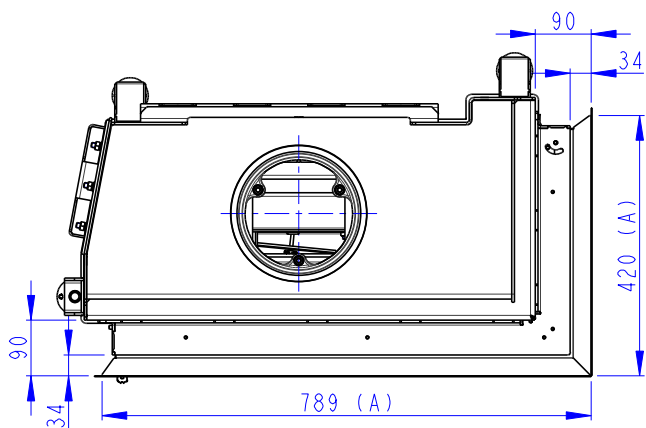
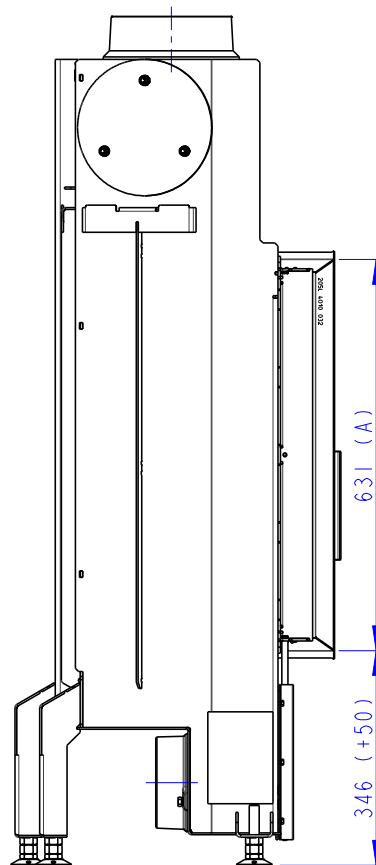
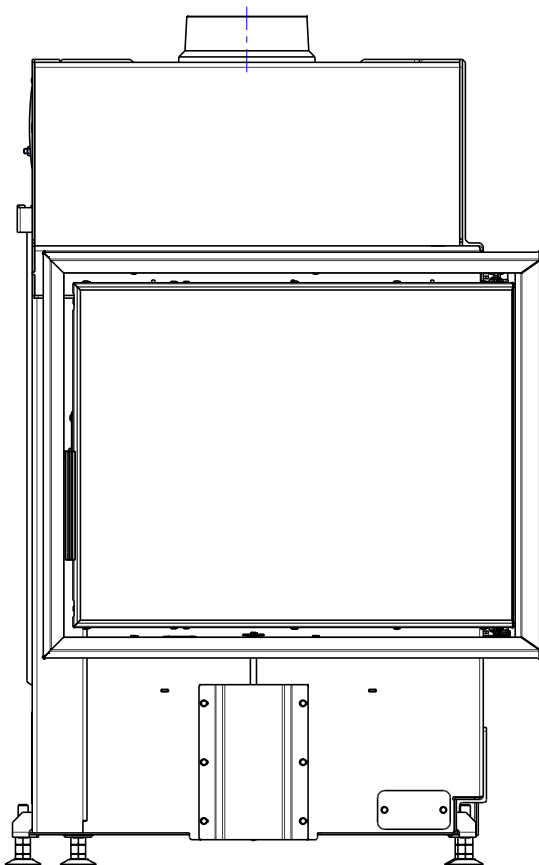
IMPRESSION R 2g S 71.60.34.21 + 12 AIRBOX 01  
+ 12 AIRBOX 01 + IR2LG TOP01  
+ 12 AIRBOX 01 + IR2LG TOP02

135kg  
207kg  
197kg



Rozměry v mm  
Maße in mm  
Dimensions in mm

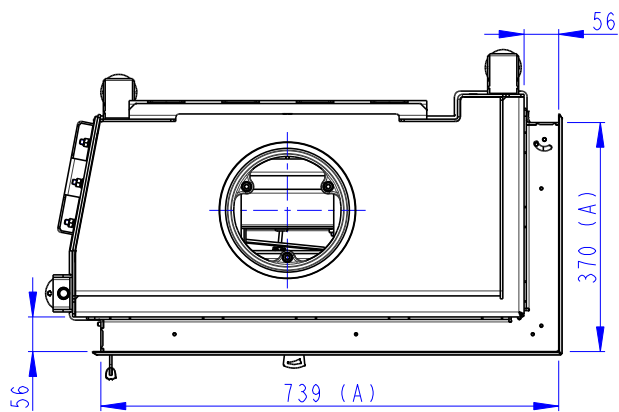
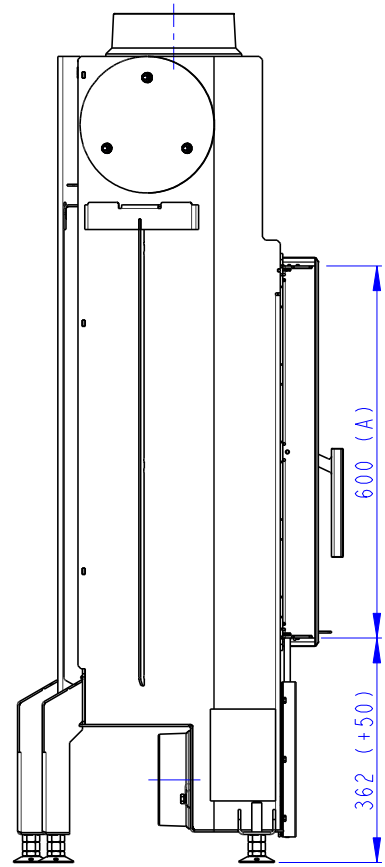
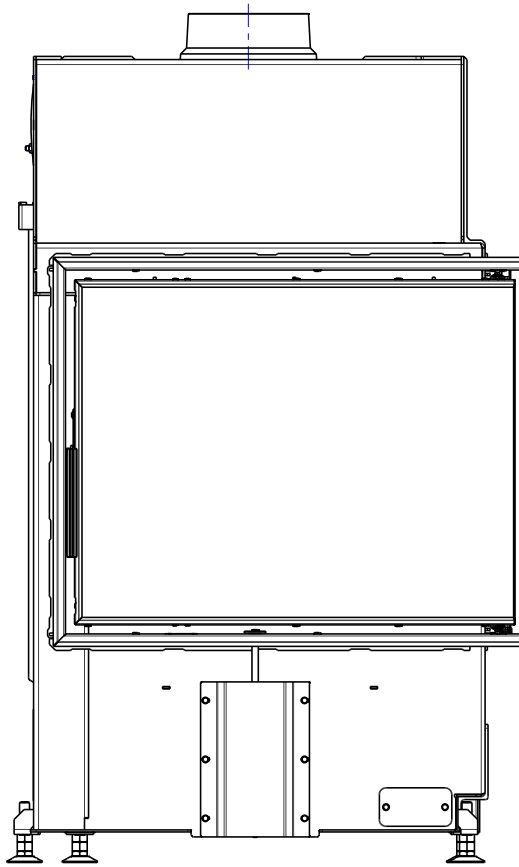
IMPRESSION R 2g S 71.60.34.21 + IR2SG RAM04 136.5kg  
+ IR2SG RAM04 + IR2LG TOP01 208.5kg  
+ IR2SG RAM04 + IR2LG TOP02 198.5kg



(A) Zastavbovy rozmer / Baumaße / In-built dimension

Rozměry v mm  
Maße in mm  
Dimensions in mm

IMPRESSION R 2g S 71.60.34.21 + IR2SG RAM06 135.3kg  
+ IR2SG RAM06 + IR2LG TOP01 207.3kg  
+ IR2SG RAM06 + IR2LG TOP02 197.3kg



(A) Zastavbovy rozmer / Baumaße / In-built dimension

